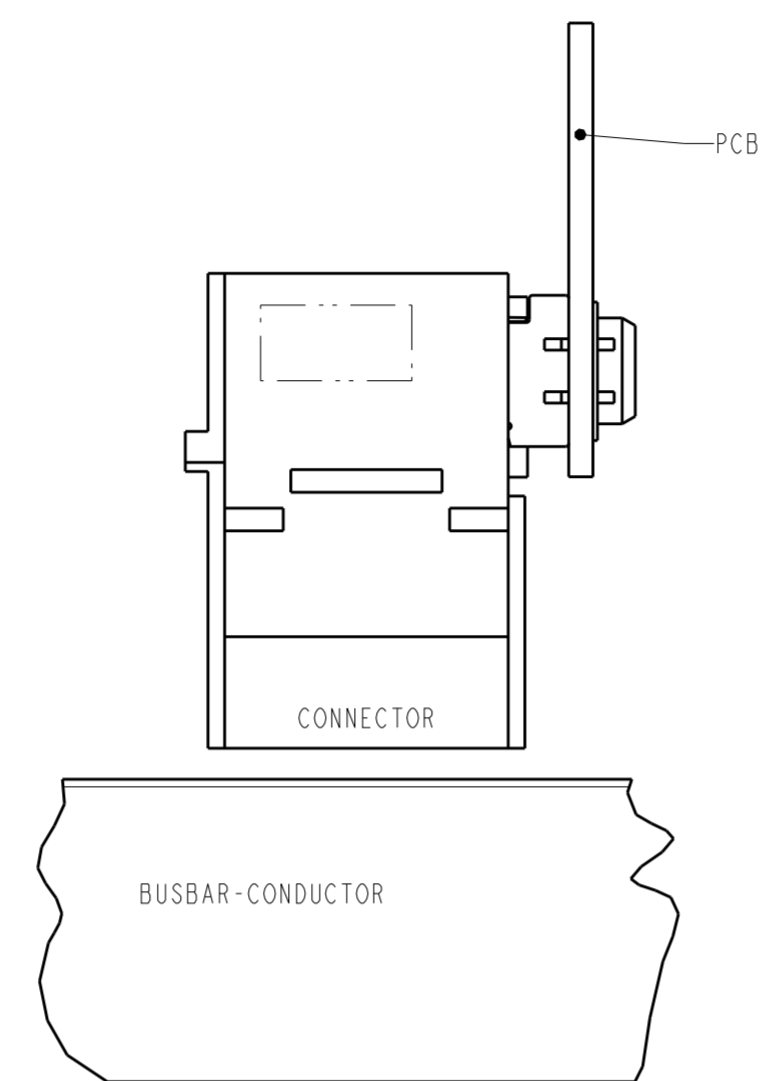
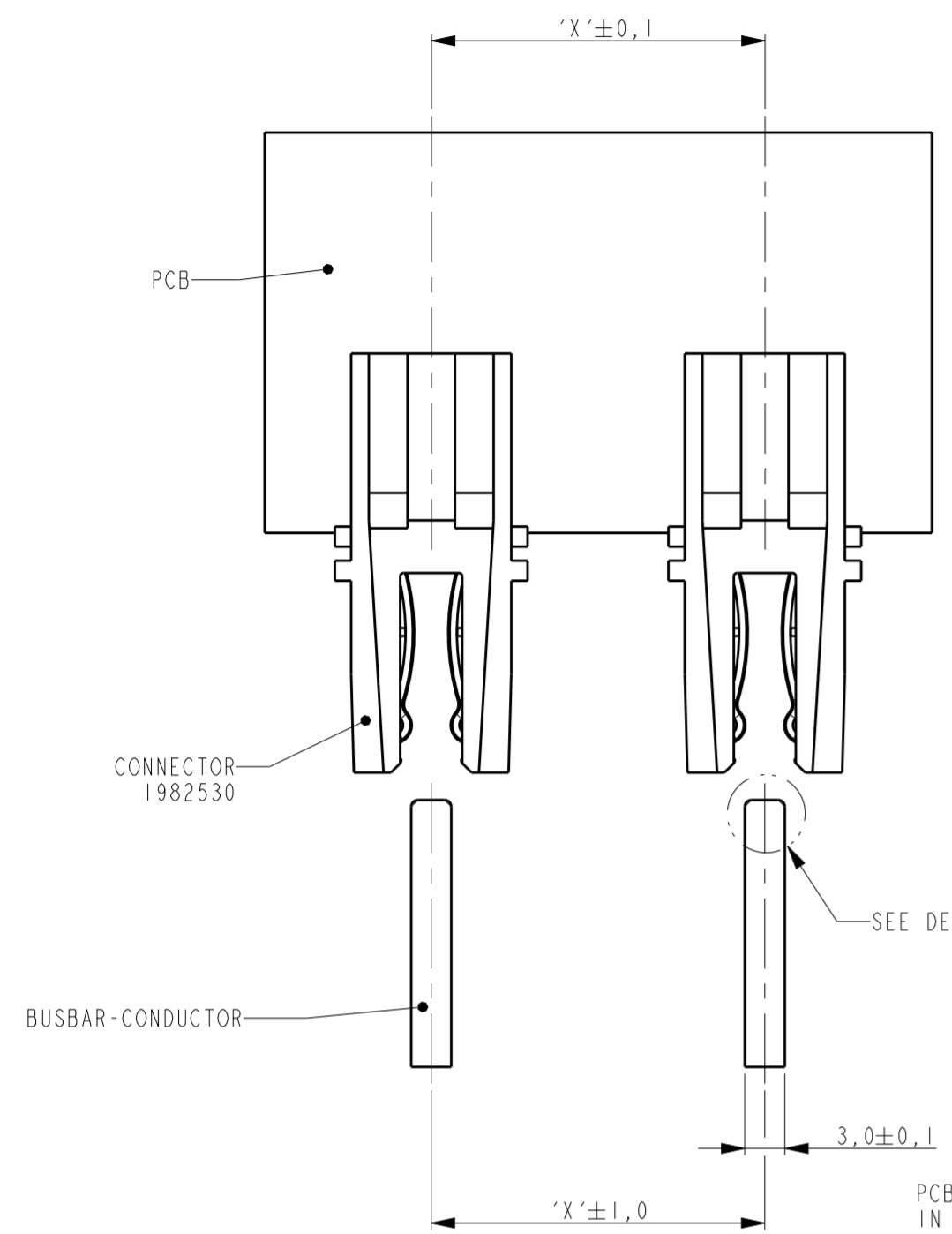
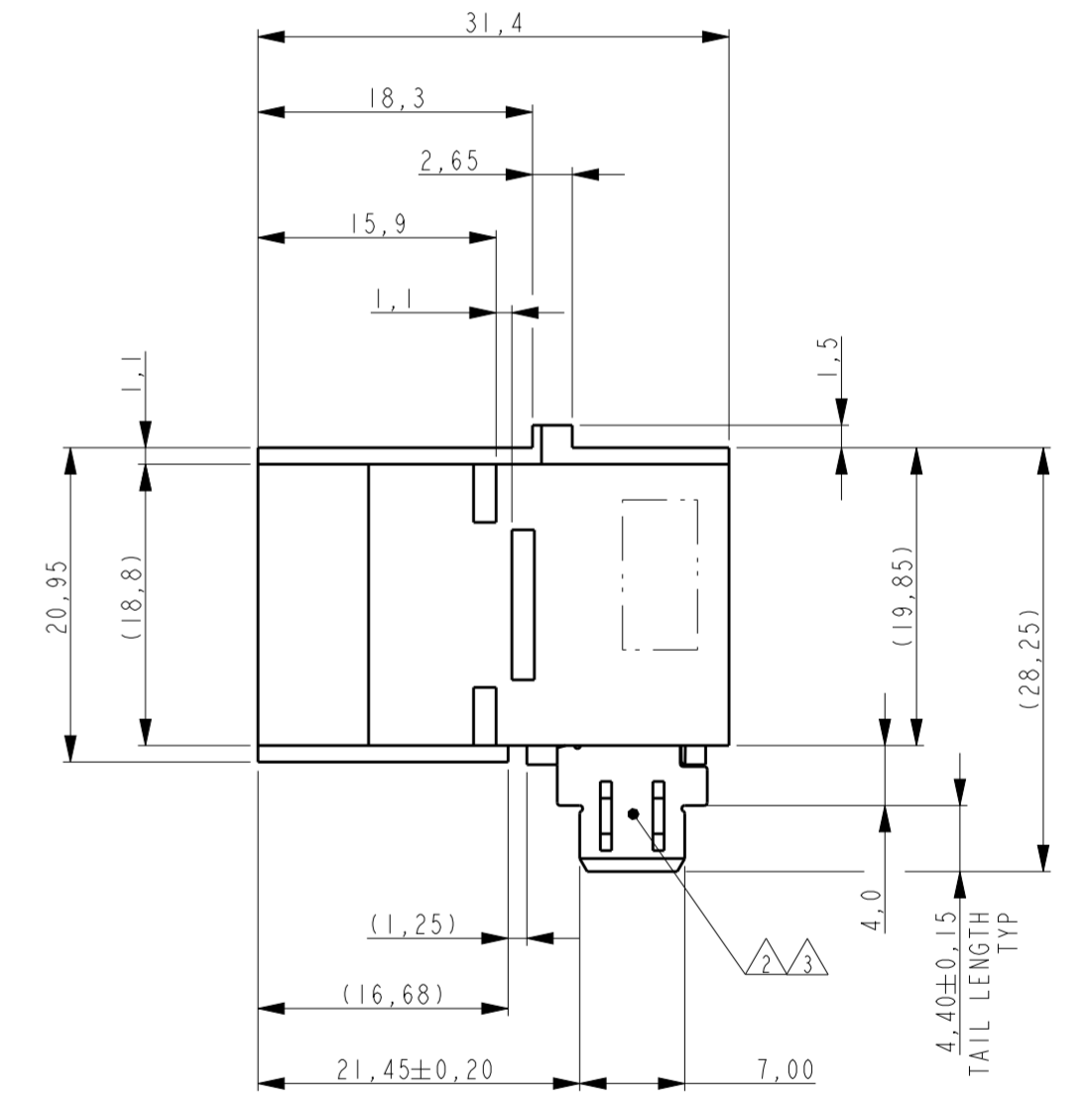
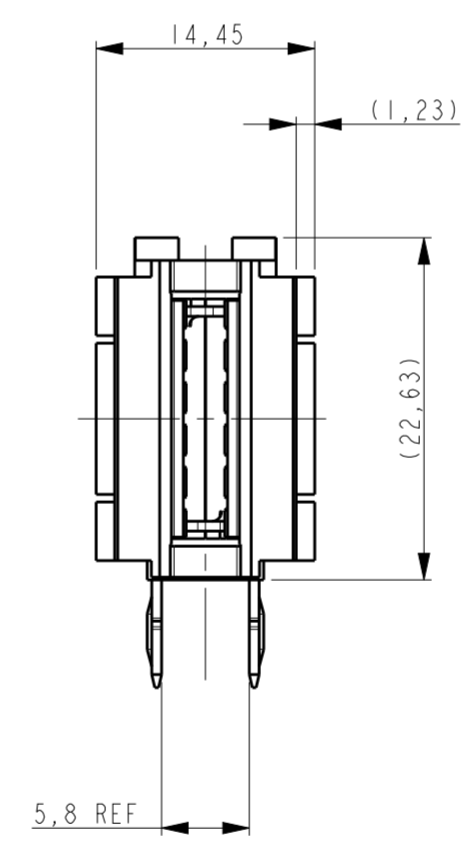
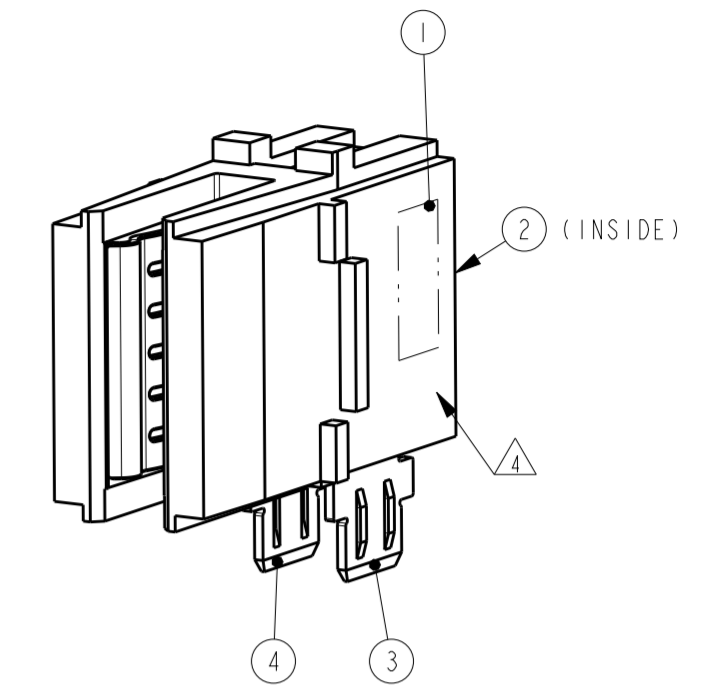
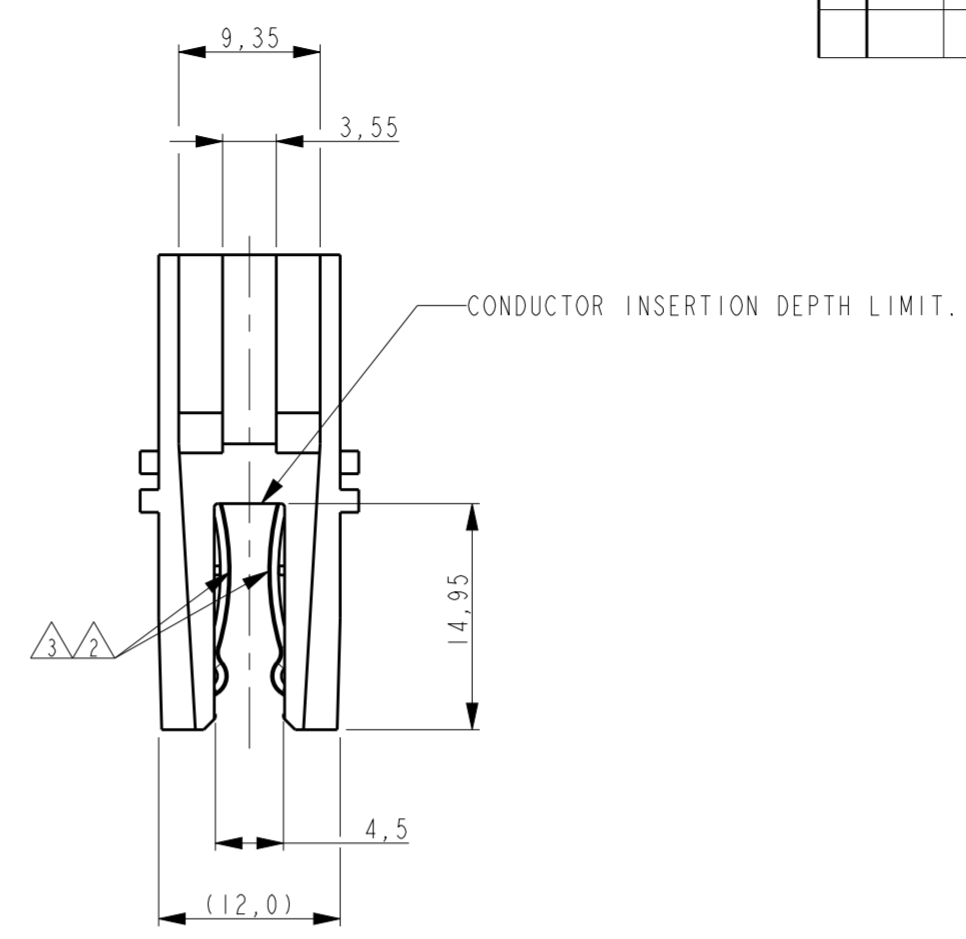


THIS DRAWING IS UNPUBLISHED. RELEASED FOR PUBLICATION
 © COPYRIGHT - BY - TE CONNECTIVITY ALL RIGHTS RESERVED.

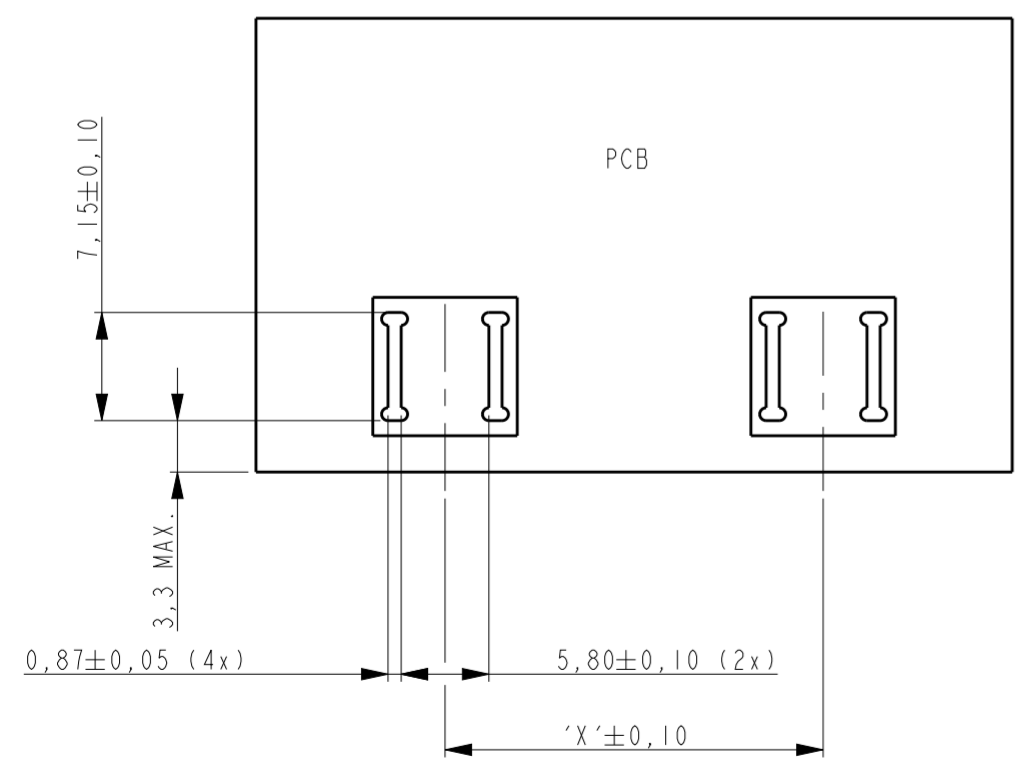
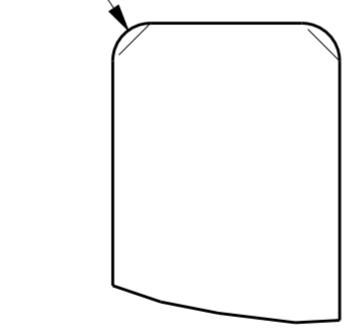
LOC	DIST	REVISIONS					
ES	00	P	LTR	DESCRIPTION	DATE	DWN	APVD
		A3		REV PER ECR-15-005882	20APR2015	ML	SZ



PCB AND BUSBAR-CONDUCTORS, IN THESE VIEWS ARE SHOWN FOR REFERENCE ONLY.



RADIUSED OR CHAMFERED EDGE ON BUSBAR-CONDUCTOR RECOMMENDED



RECOMMENDED PCB LAY-OUT
 THICKNESS: 1,5 - 2,0mm

- NOTES:
- 1 PCB MUST BE SUPPORTED WHILE INSERTING THE CONNECTOR IN THE SLOTS TO AVOID BENDING OF THE BOARD.
 - 2 PLATING: 1,2µm MIN. NICKEL UNDERLAYER ALLOY.
 - 3 3,0µm MIN. TIN IN INDICATED AREA'S.
 - 4 AREA FOR DATE-CODE.
 - 5 MATERIAL:
 POWER CONTACT: HIGH CONDUCTIVITY COPPER ALLOY.
 HOUSING: THERMOPLASTIC, BLACK, UL94 V-0.

ITEM NO.	DESCRIPTION	MATERIAL	FINISH	QTY.
4	CONTACT LEFT	COPPER ALLOY	2 3	1
3	CONTACT RIGHT	COPPER ALLOY	2 3	1
2	CLIP	STAINLESS STEEL	-	1
1	HOUSING	PBT	BLACK	1

THIS DRAWING IS A CONTROLLED DOCUMENT.

DIMENSIONS:	TOLERANCES UNLESS OTHERWISE SPECIFIED:	DWN SUDHAKAR 12 sep 12	TE Connectivity
mm		CHK SUDHAKAR 12 sep 12	
		APVD RAJENDRA 12 sep 12	
		PRODUCT SPEC 108-19360	
MATERIAL		APPLICATION SPEC 114-19128	NAME PLUGGABLE BUSBAR CONNECTOR SOLDER VERSION CROWN CLIP JUNIOR
		WEIGHT -	SIZE A2 CAGE CODE 00779 DRAWING NO. C-2178410 RESTRICTED TO -
		Customer Drawing	SCALE 2:1 SHEET 1 OF 1 REV A3