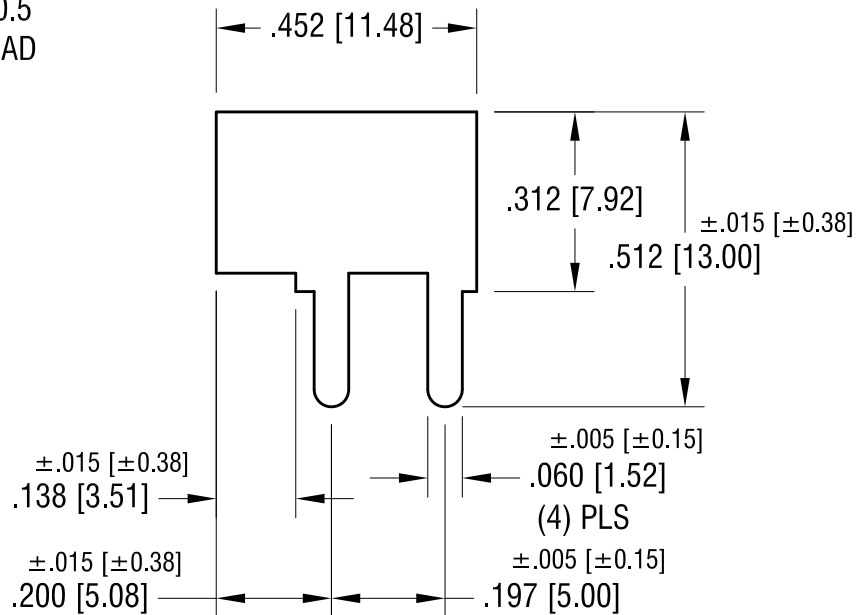
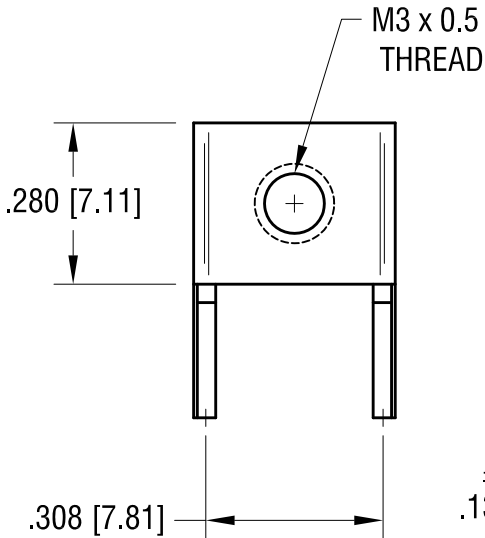
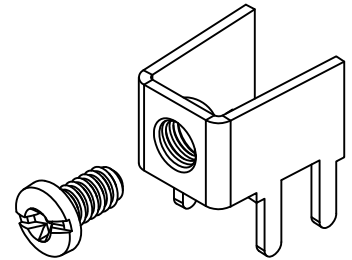
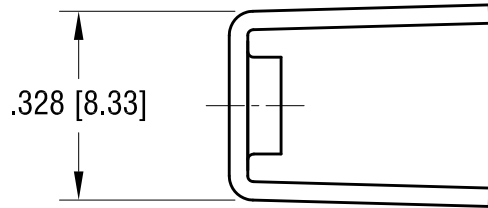
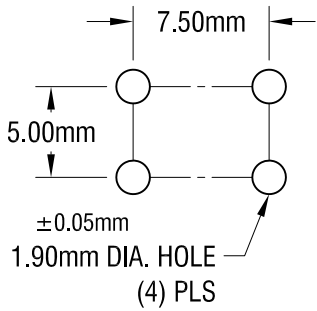


THIS DOCUMENT IS THE PROPERTY OF KEYSTONE ELECTRONICS CORP. AND SHALL NOT BE REPRODUCED, DISTRIBUTED OR USED AS A BASIS FOR MANUFACTURE WITHOUT PRIOR WRITTEN PERMISSION FROM KEYSTONE ELECTRONICS CORP.

**MOUNTING DETAIL**



**NOTE:**

**1. TERMINAL:**

MAT'L - .032 [0.81] TH'K BRASS, MATTE TIN PLATE  
SCREW : ONE (1) M3 x 0.5 SCREW, SUPPLIED LOOSE.  
MAT'L - BRASS, NICKEL PLATE  
HEAD OF SCREW IS POWDER COATED  
WITH COLOR AS INDICATED IN CHART.

**PC SCREW TERMINAL WITH COLORED SCREW HEAD**

| PART NO. | HEAD COLOR | PART NO. | HEAD COLOR |
|----------|------------|----------|------------|
| 7761-2   | RED        | 7761-5   | BLUE       |
| 7761-3   | BLACK      | 7761-6   | GREEN      |
| 7761-4   | WHITE      | 7761-7   | YELLOW     |

**KEYSTONE ELECTRONICS CORP.**

ASTORIA, N.Y. 11105-2017

|  |            |        |                 |
|--|------------|--------|-----------------|
| PART NAME                                  |            |        |                 |
| PC METRIC SCREW TERMINAL                   |            |        |                 |
| MATERIAL                                   |            |        |                 |
| AS NOTED                                   |            |        |                 |
| FINISH                                     |            | DRN BY | DATE            |
| AS NOTED                                   |            | NT     | 1.26.10         |
|  |            | APP'D  | SCALE           |
|  |            |        | 3X              |
| TOLERANCES                                 | INCH [MM]  | CODE   | DWG NO.         |
| DECIMAL                                    | ± [± 0.25] | C      | 7761-2 - 7761-7 |
| ANGULAR ± 1°<br>UNLESS OTHERWISE SPECIFIED |            |        |                 |

|      |             |      |
|------|-------------|------|
| DATE | DESCRIPTION | REV. |
|------|-------------|------|